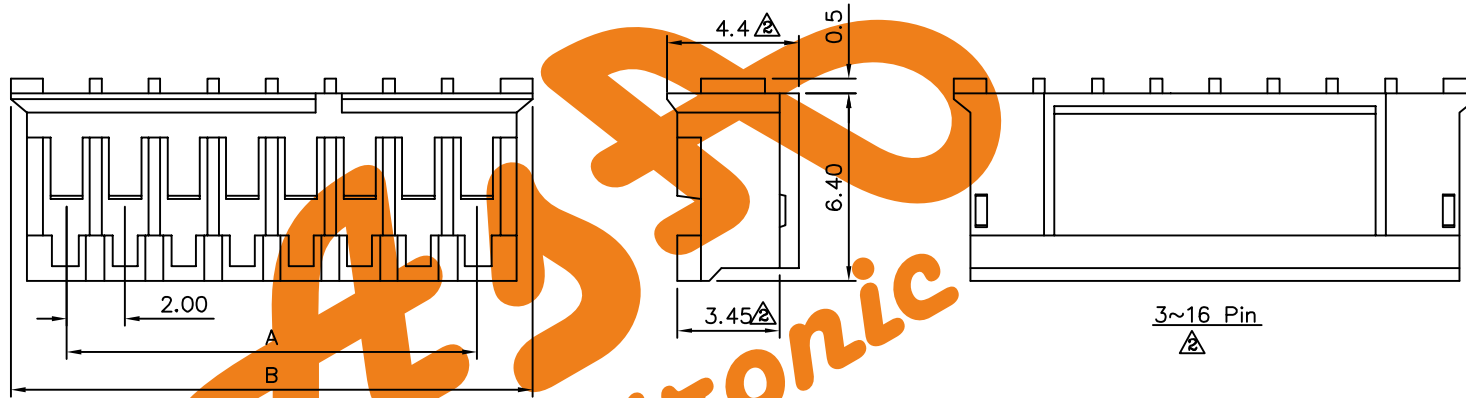
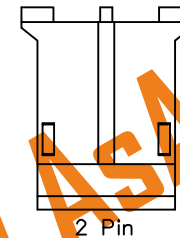
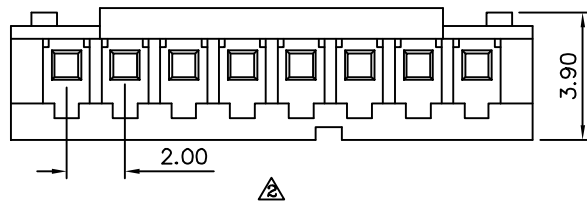


△ SPECIFICATION

Current Rating: 2A AC/DC
 Voltage Rating: 100V AC/Max.
 Operation Temperature: -25°C To +85°C
 Contact Resistance: 20 Milliohms Max.
 Insulation Resistance: 1000 Megaohms Min.
 Withstanding Voltage: 800V AC/Minute
 Insulator: PA66(UL94V-0), White
 RoHS Compliant



3~16 Pin
△

| Pin | A | B |
|-----|------|------|
| 2 | 2.0 | 5.8 |
| 3 | 4.0 | 7.8 |
| 4 | 6.0 | 9.8 |
| 5 | 8.0 | 11.8 |
| 6 | 10.0 | 13.8 |
| 7 | 12.0 | 15.8 |
| 8 | 14.0 | 17.8 |
| 9 | 16.0 | 19.8 |
| 10 | 18.0 | 21.8 |
| 11 | 20.0 | 23.8 |
| 12 | 22.0 | 25.8 |
| 13 | 24.0 | 27.8 |
| 14 | 26.0 | 29.8 |
| 15 | 28.0 | 31.8 |
| 16 | 30.0 | 33.8 |

| | | | | | | |
|----------------------|--|--------------------|--|--|------------------|------------------|
| DRAWING No. 01509 | | APPROVED BY MEI | | UNLESS OTHERWISE SPECIFIED TOLERANCES ARE .X ±0.3 .XX ±0.2 ANG. | | |
| CHECKED BY H.Z | | DRAWING BY LXX | | | △ A2 Modify Data | HZF 03/23/2010 |
| SCALE NONE | | REV. A2 | | | △ A1 Modify Data | BECKY 2005/02/17 |
| | | | | UNIT mm | △ A0 NEW RELEASE | |
| | | | | NO. REV. | REVISIONS | CHK DATE |